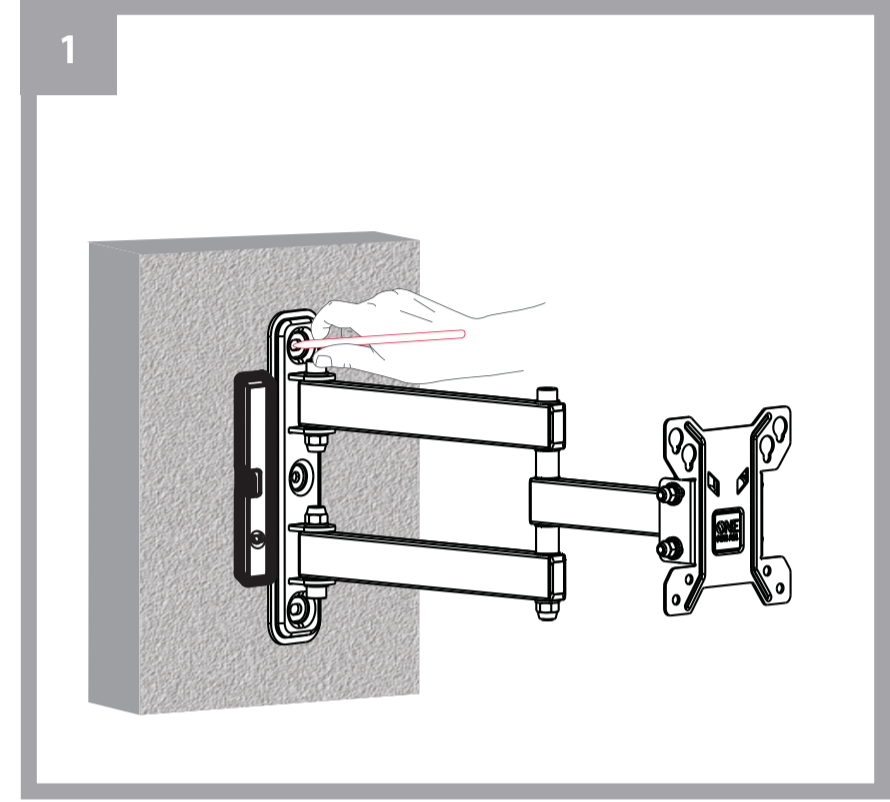
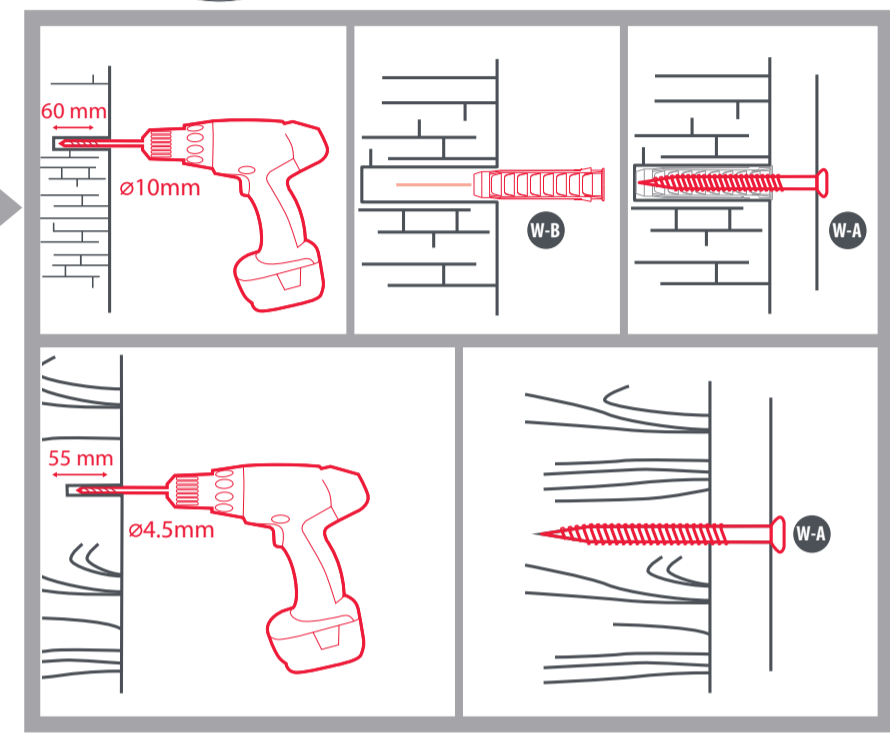


START

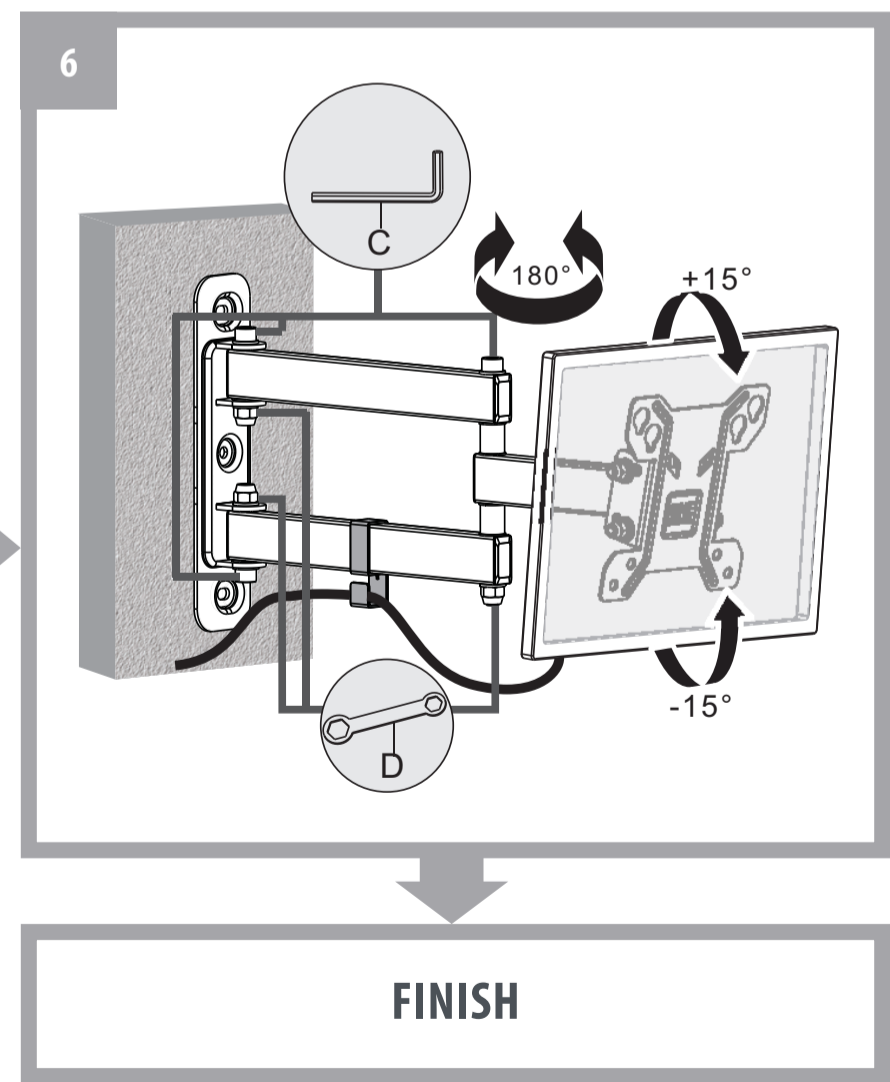
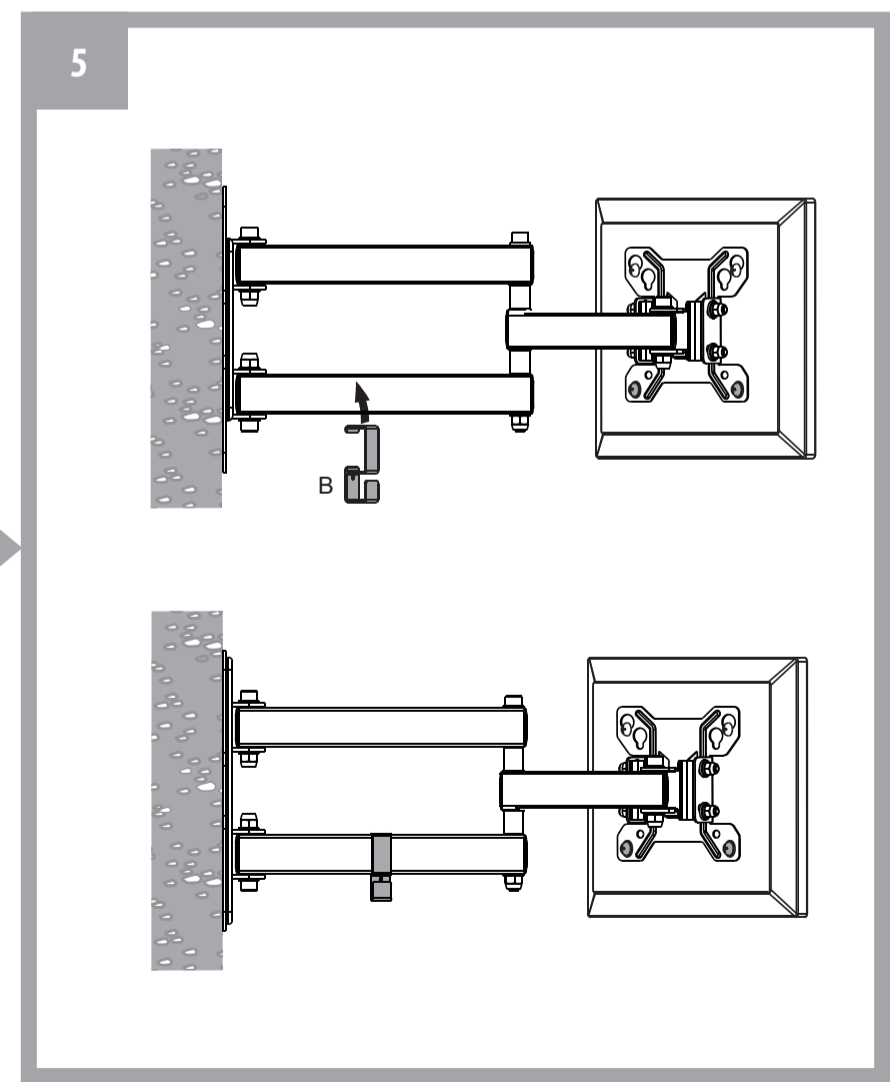
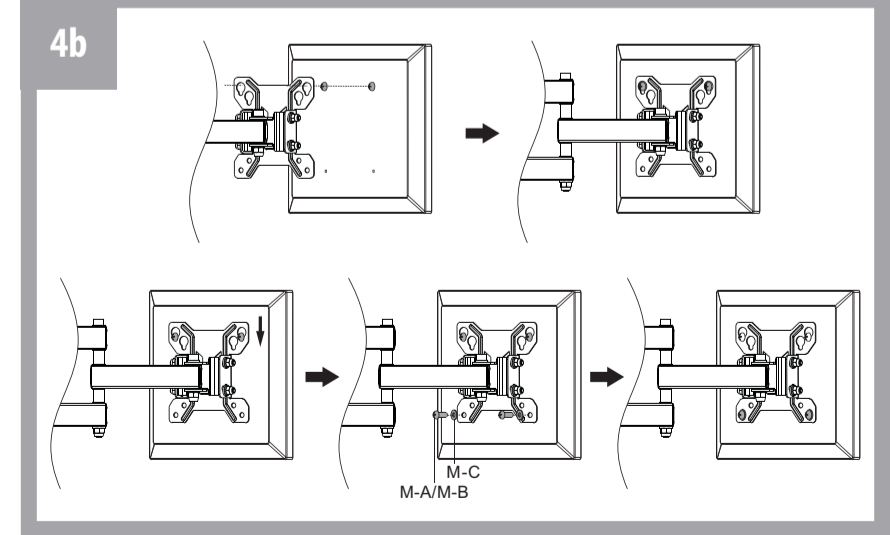
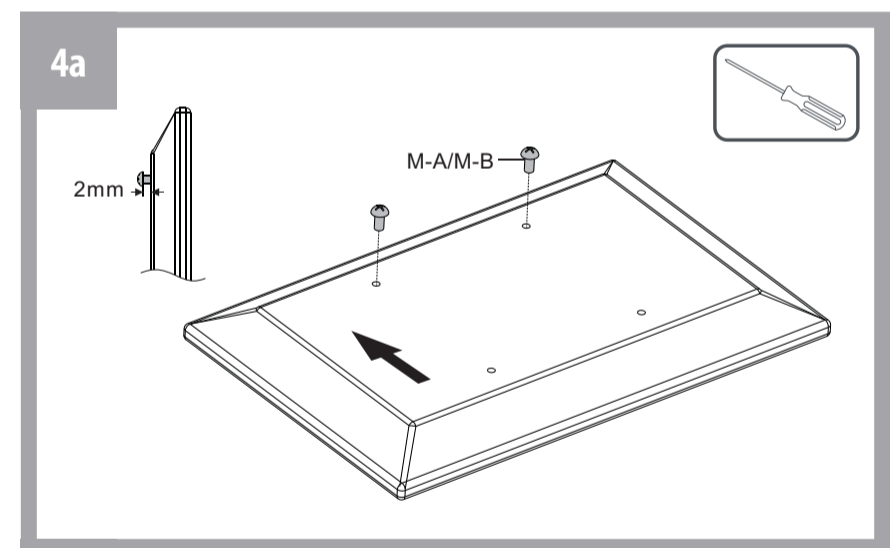
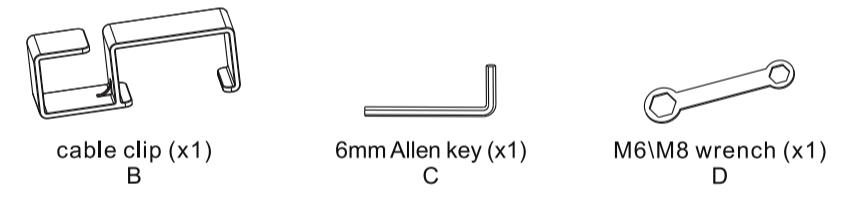
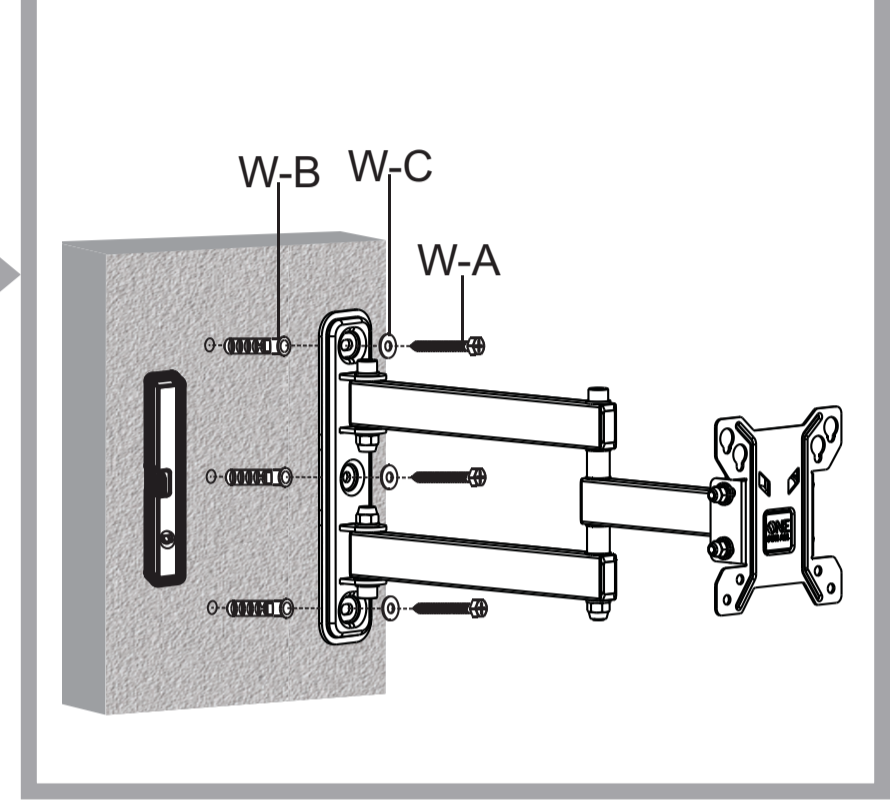


2 **WARNING**

! Please verify that the supporting surface will safely support the combined weight of the equipment and all attached hardware and components.



3



FINISH

