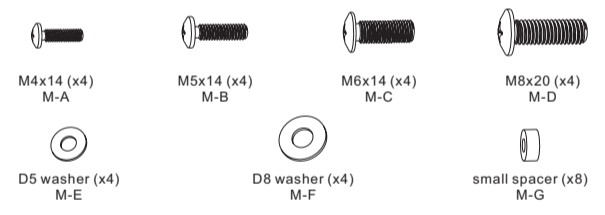
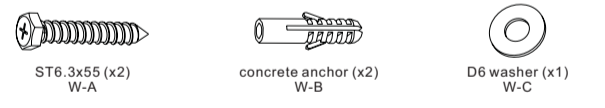


**Package M**



**Package W**



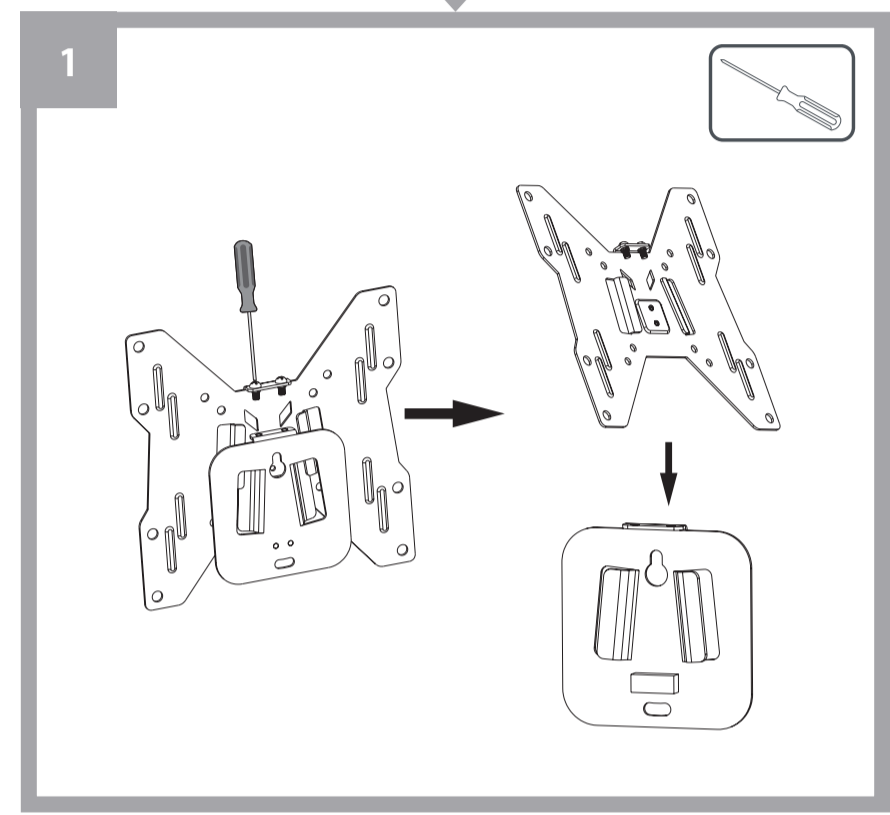
Separate the waste  
Differenzia i Rifiuti



<http://www.oneforall.com/documents>

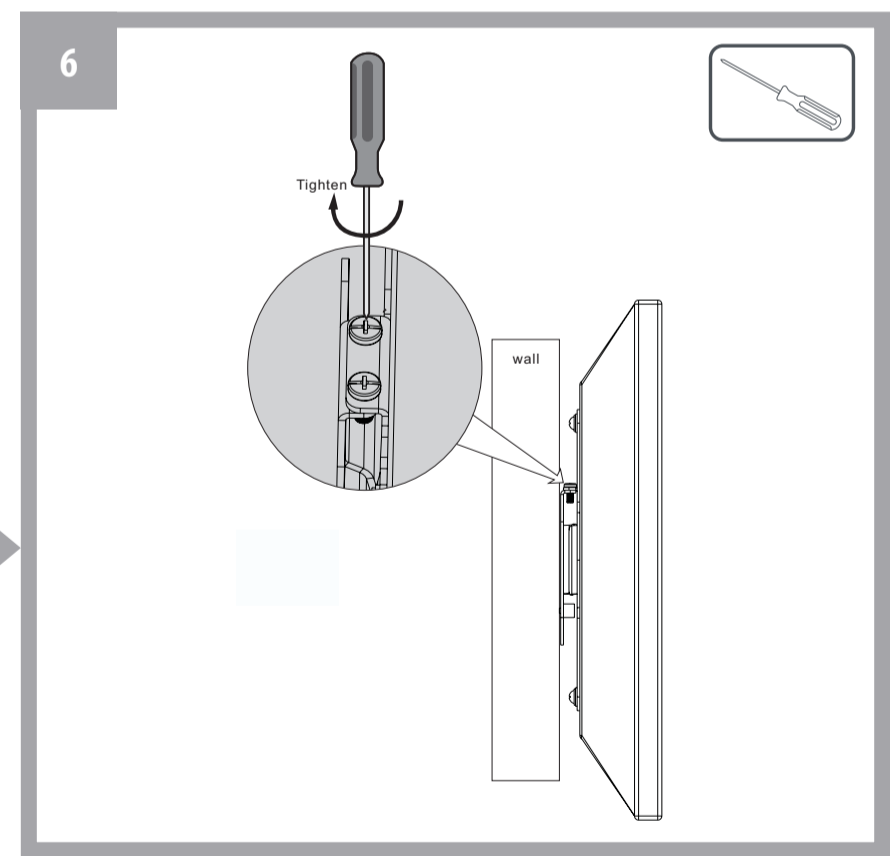
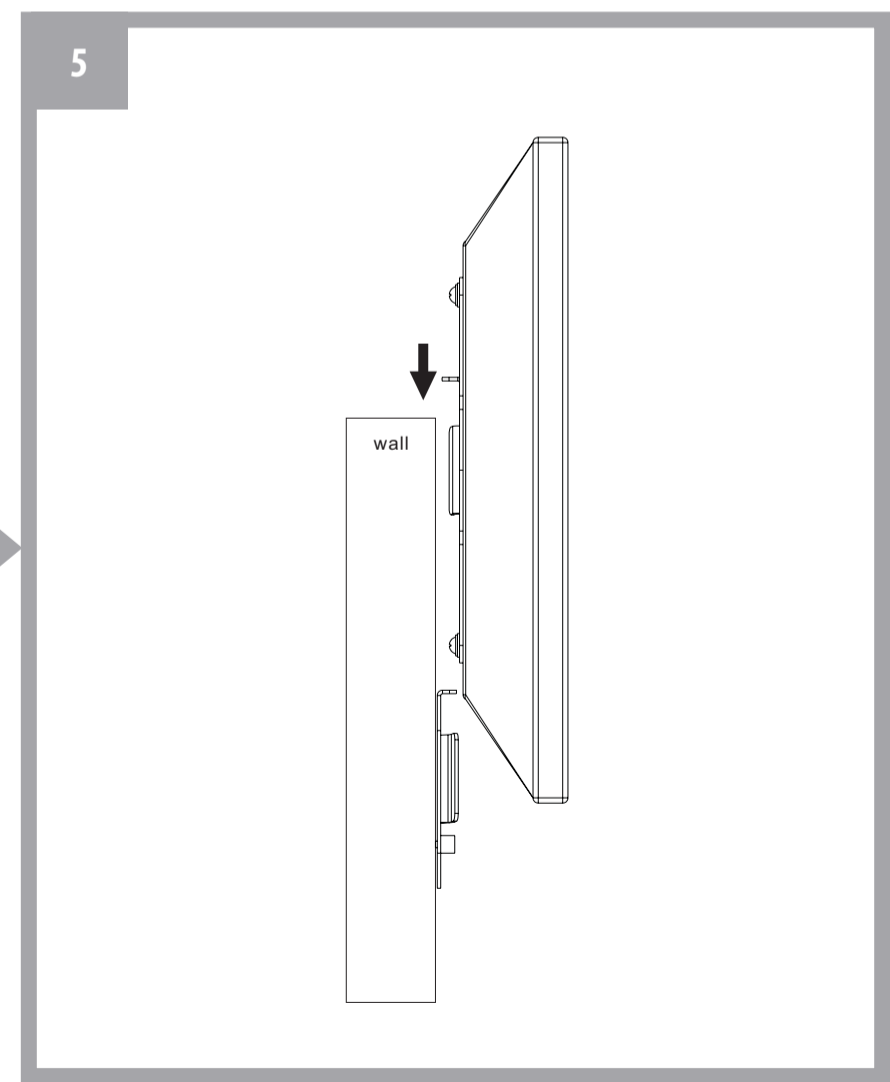
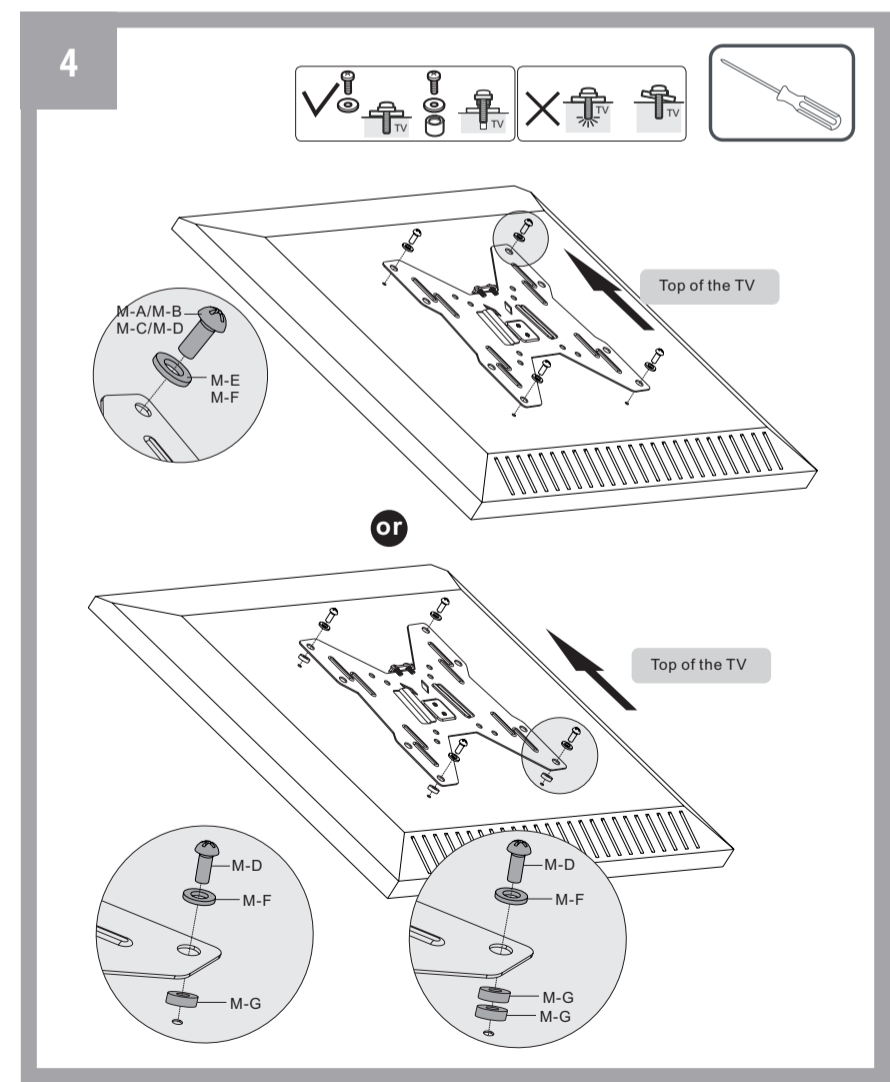
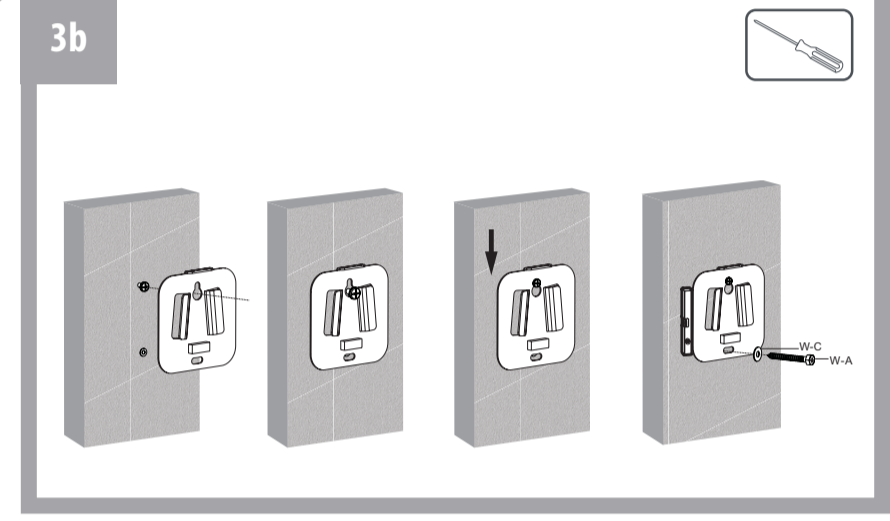
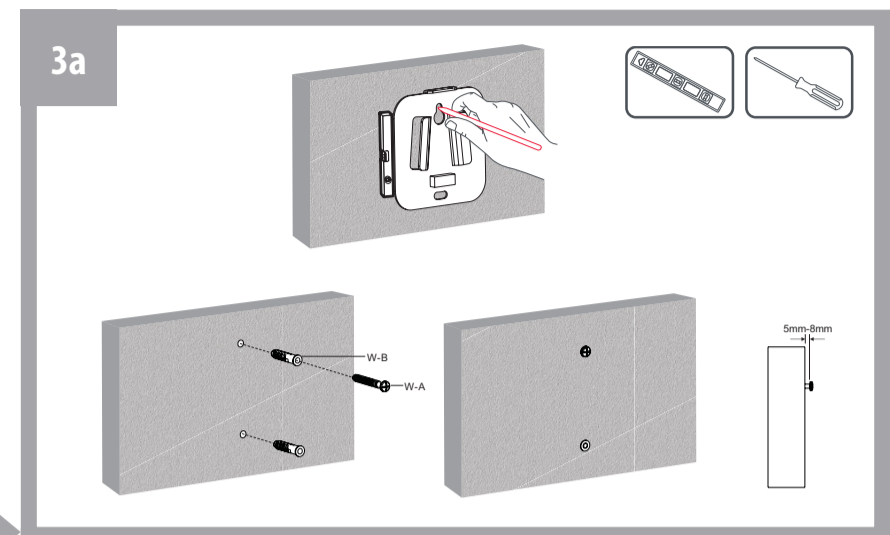
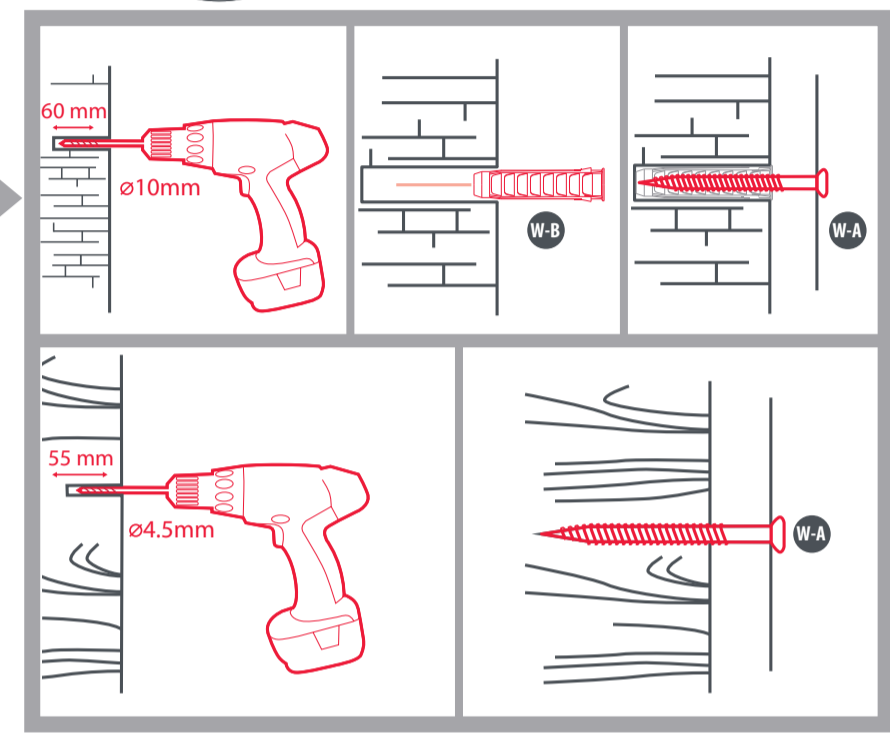
Universal Electronics BV - Europe & International  
P.O. Box 3332, 7500 DH Eindhoven  
The Netherlands  
WM2311  
710569  
RDN-1150323

**START**



**2** **WARNING**

! Please verify that the supporting surface will safely support the combined weight of the equipment and all attached hardware and components



**FINISH**