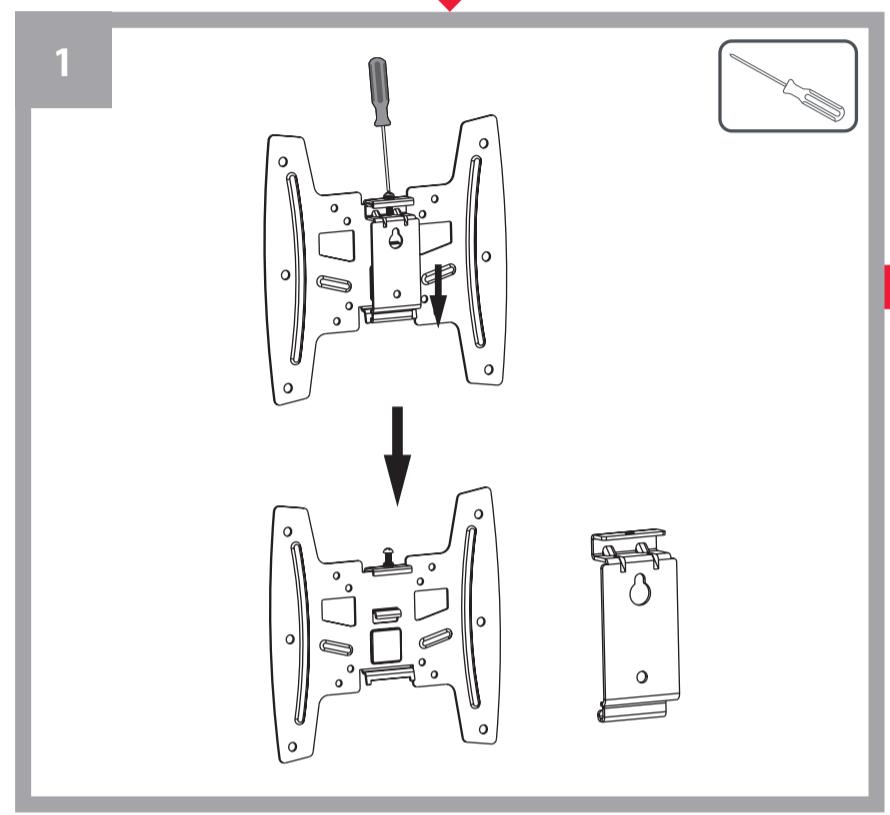
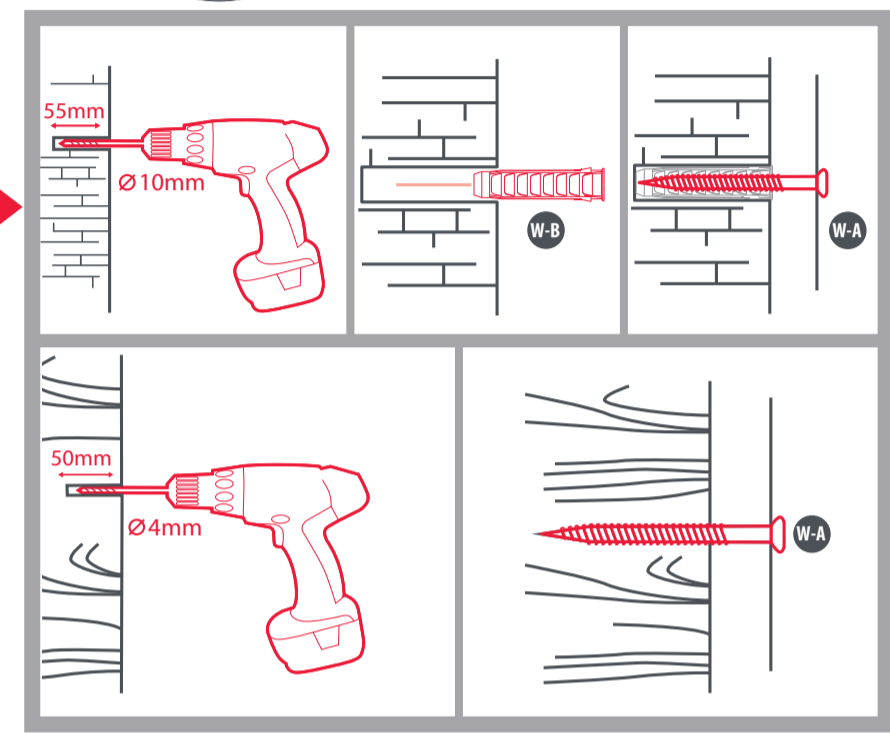


START

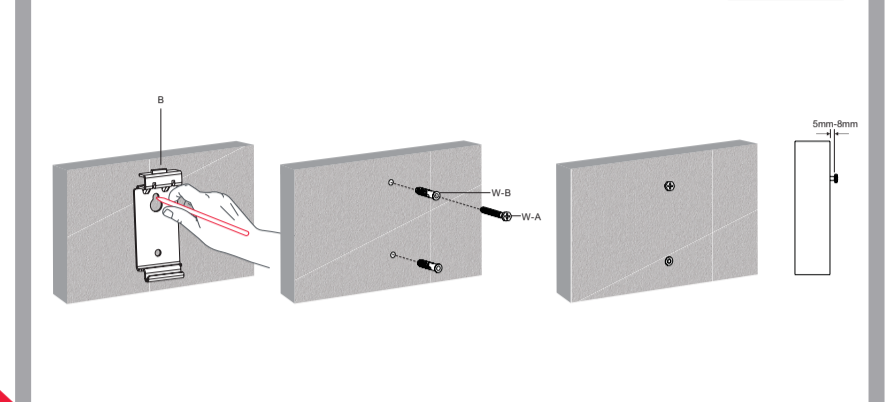


2 **WARNING**

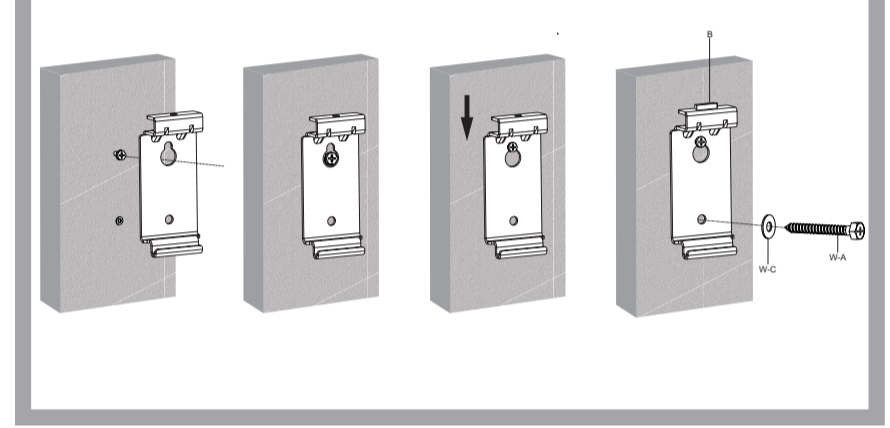
! Please verify that the supporting surface will safely support the combined weight of the equipment and all attached hardware and components.



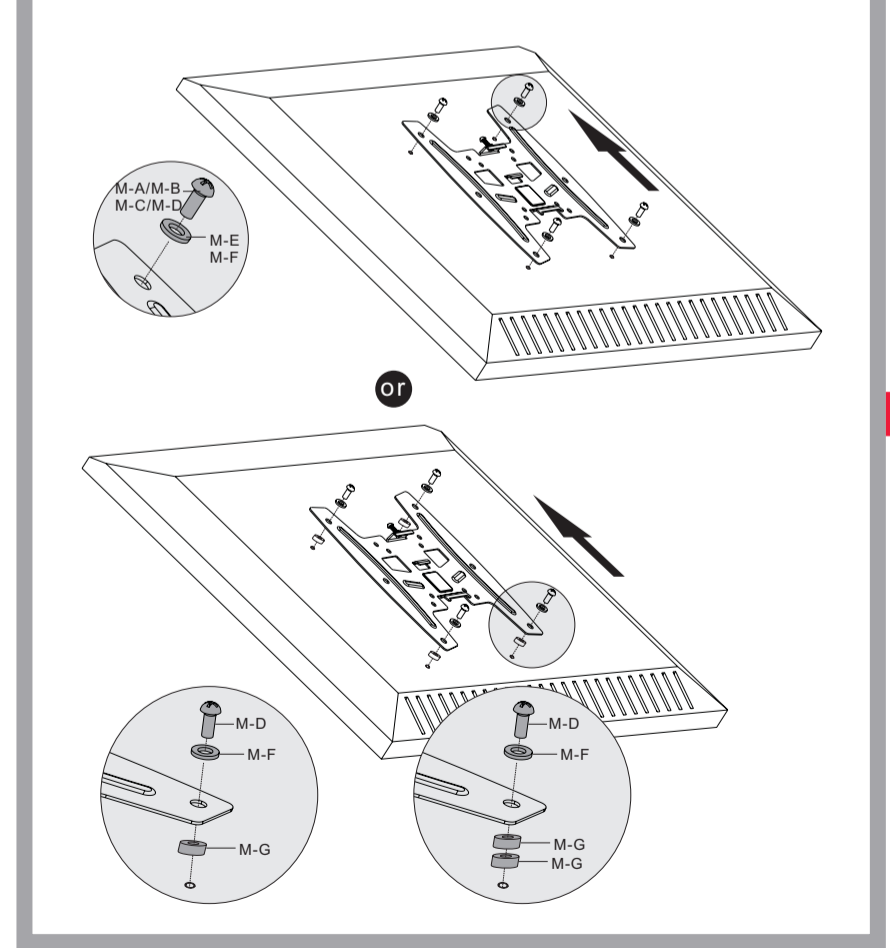
3a



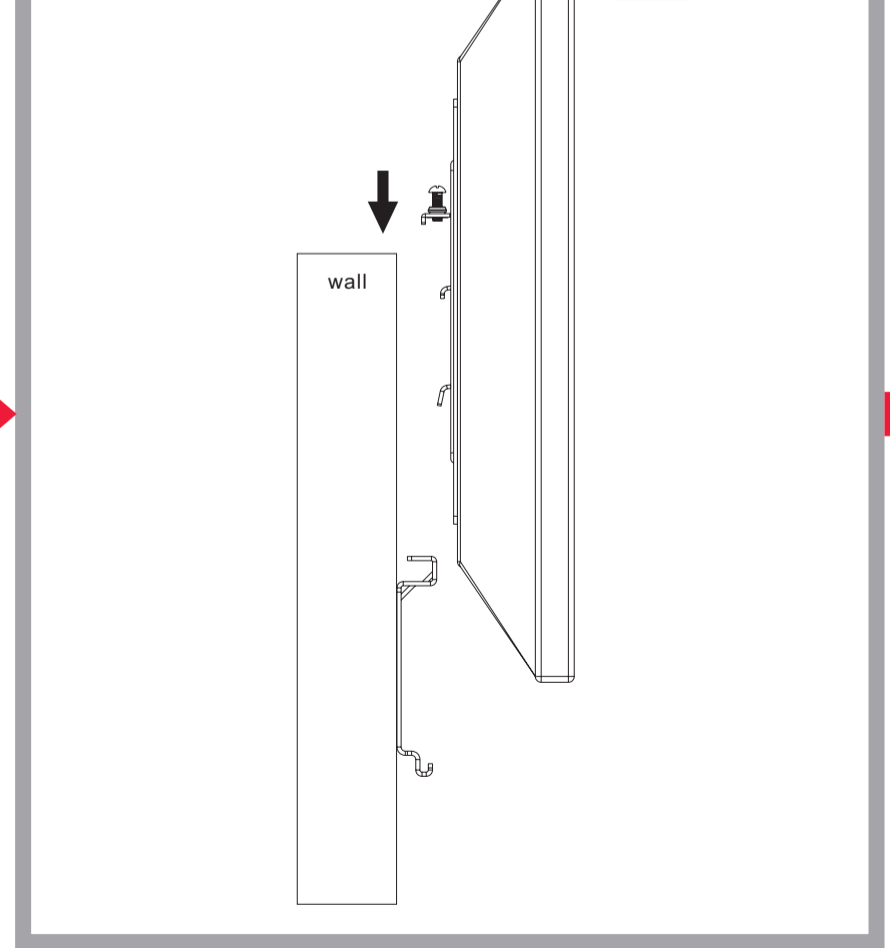
3b



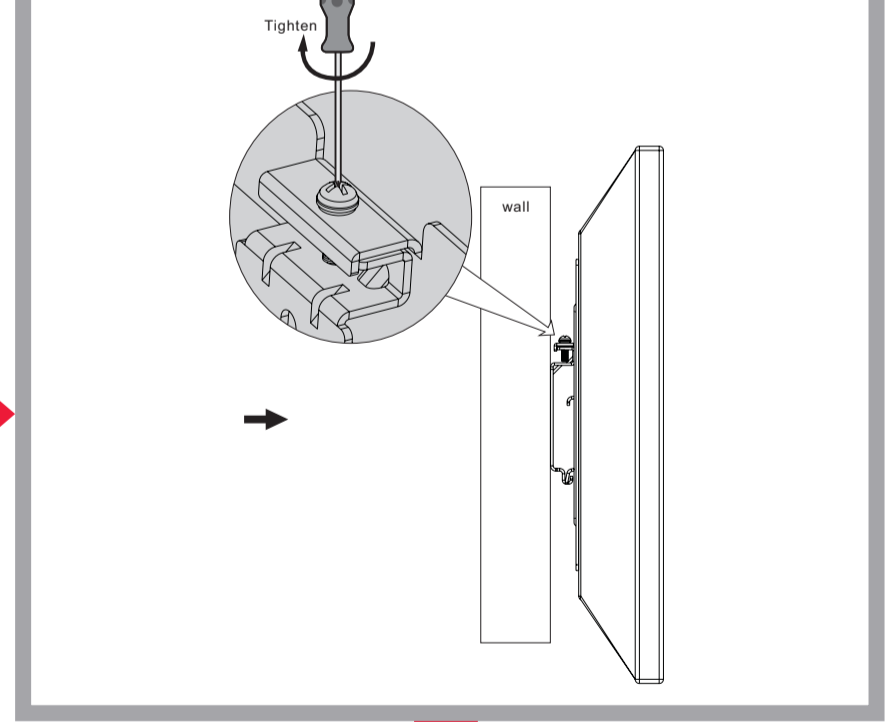
4



5



6



FINISH

- B**
- Package M
- M4x14 (x4) M-A
 - M5x14 (x4) M-B
 - M6x14 (x4) M-C
 - M8x20 (x4) M-D
 - D5 washer (x4) M-E
 - D8 washer (x4) M-F
 - small spacer (x8) M-G
- Package W
- ST6.3x55 (x2) W-A
 - concrete anchor (x2) W-B
 - D6 washer (x2) W-C

