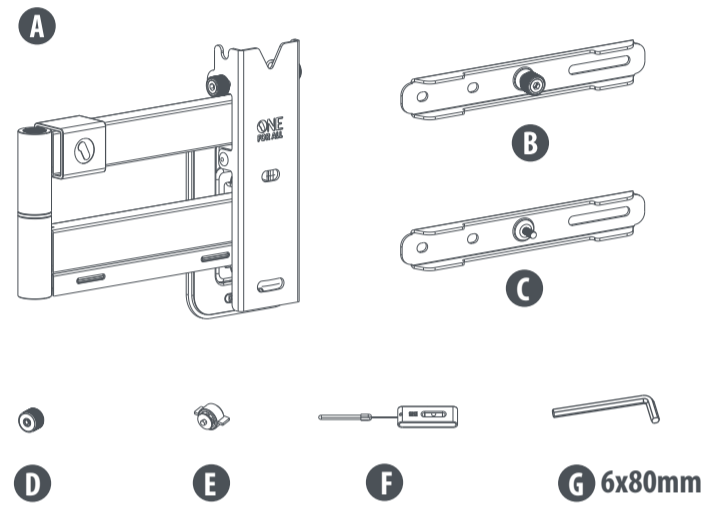




Universal
200 x 200 max



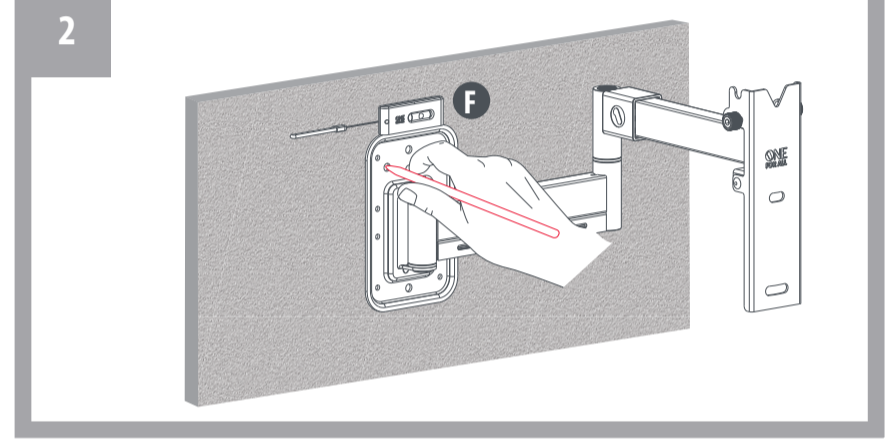
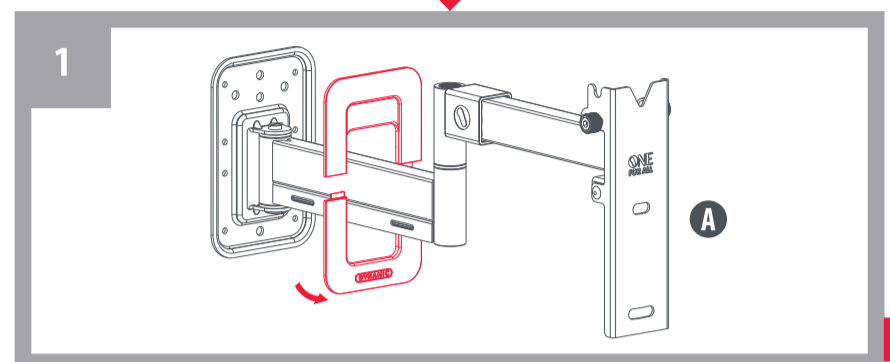
- Package M**
- M-A 4 x M5x14mm
 - M-B 4 x M6x14mm
 - M-C 4 x M6x30mm
 - M-D 4 x M8x12mm
 - M-E 4 x M8x30mm
 - M-F 4 x M8x50mm
 - M-G 4 x D6
 - M-H 8 x ø15xø8x5mm
 - M-I 8 x ø15xø8x15mm

- Package W**
- W-A 4 x ST8x90mm
 - W-C 4 x D8
 - W-B 4 x ø10x50mm



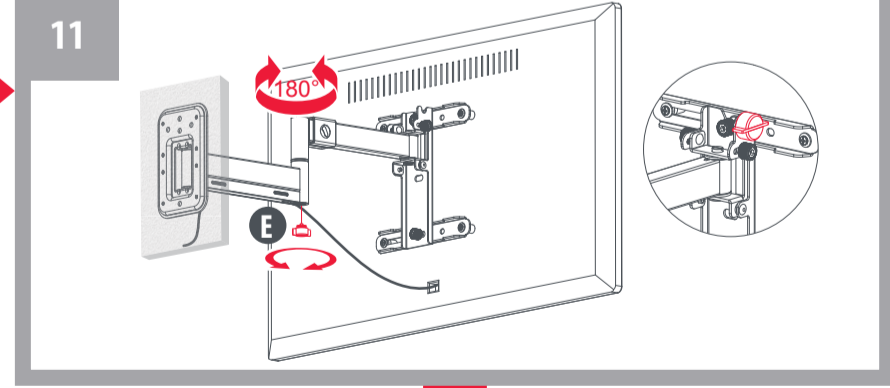
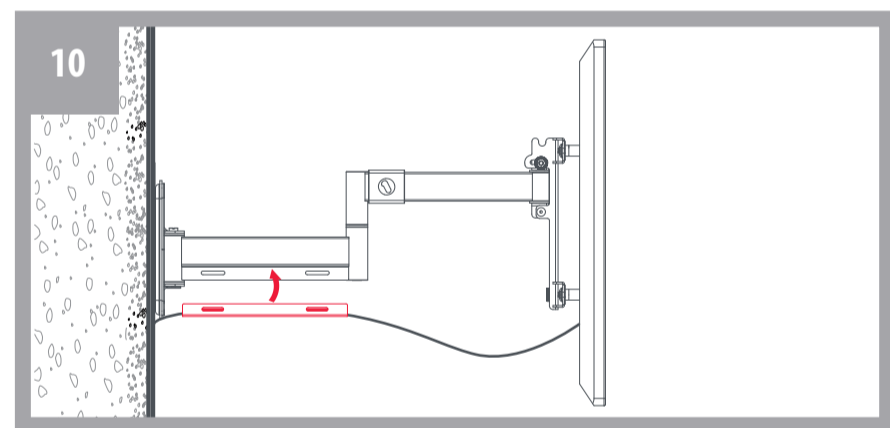
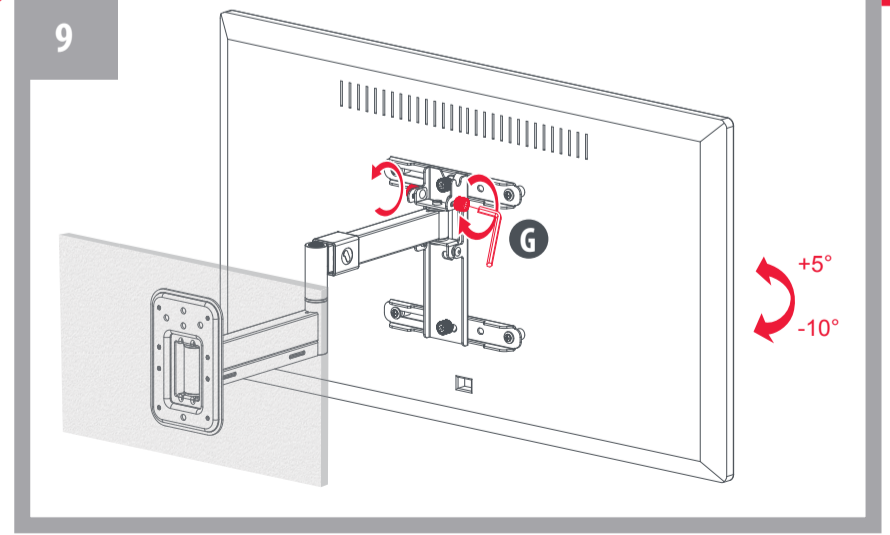
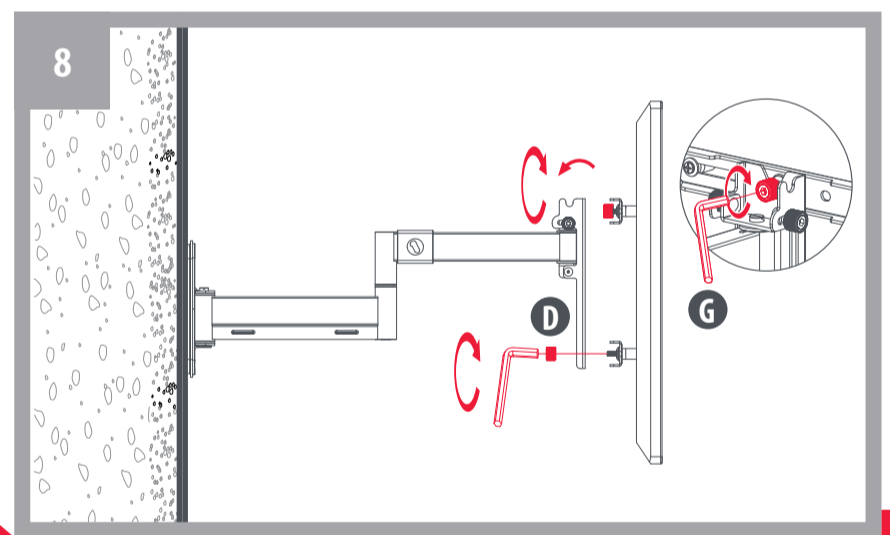
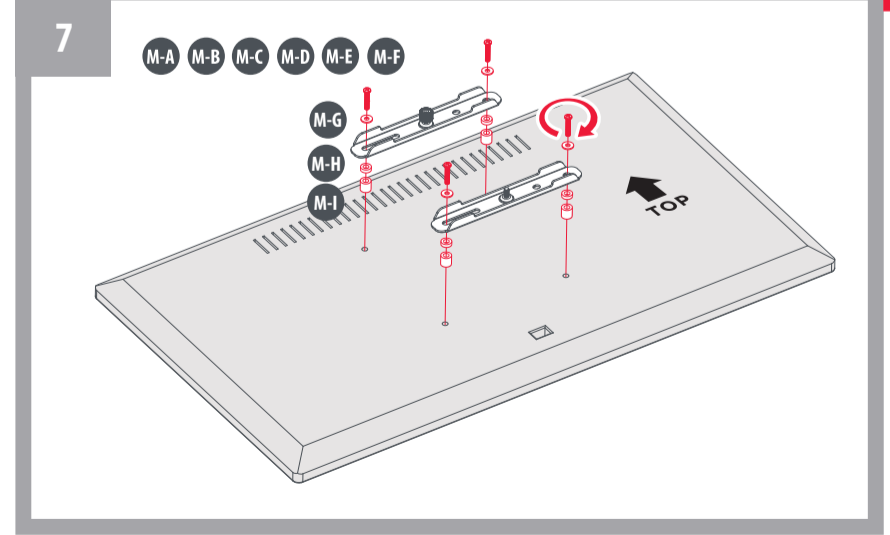
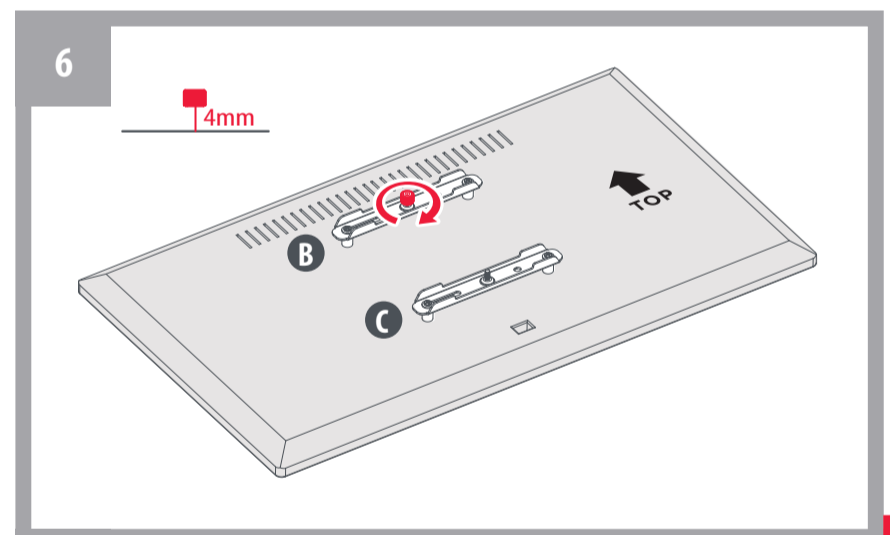
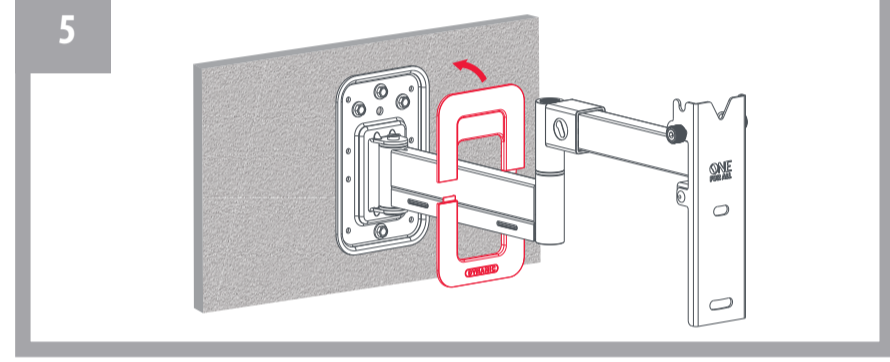
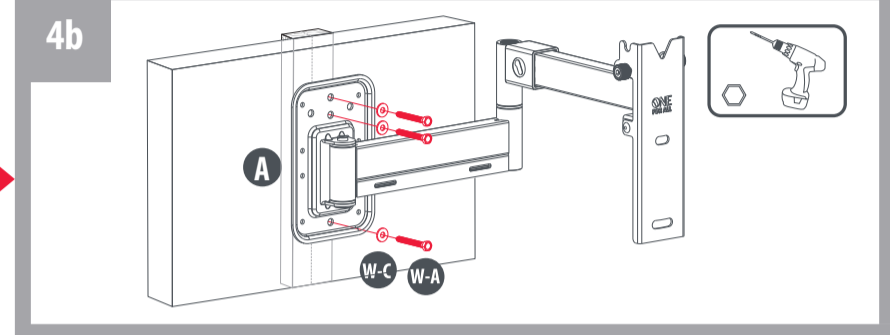
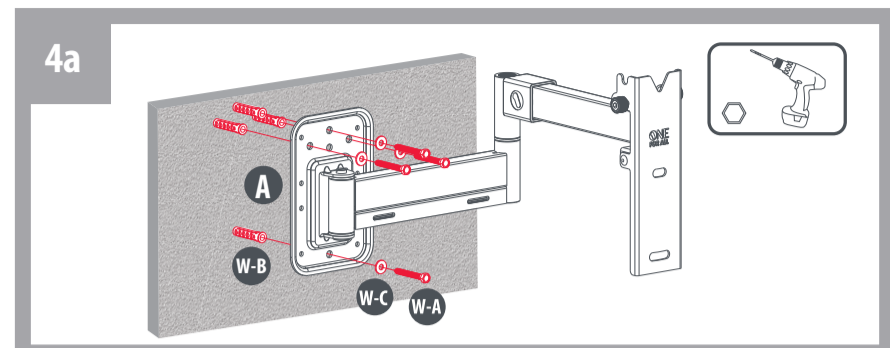
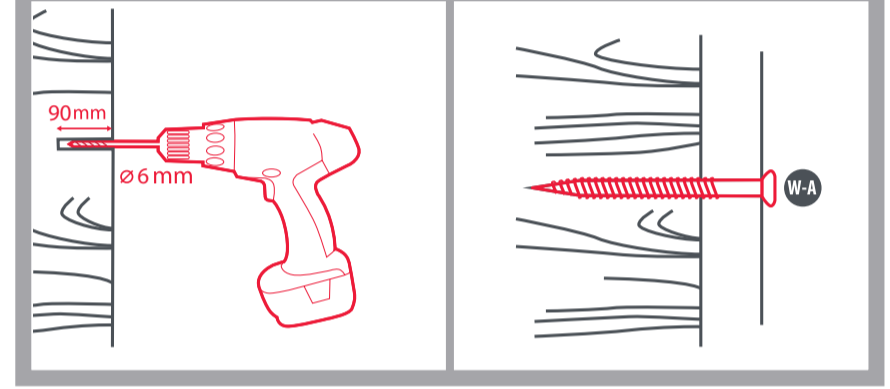
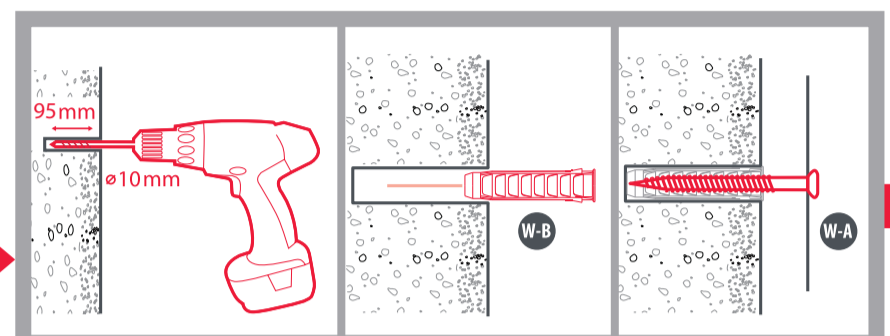
Universal Electronics BV - Europe & International
FDN 1150323 The Netherlands

START



3 WARNING

Please verify that the supporting surface will safely support the combined weight of the equipment and all attached hardware and components



FINISH