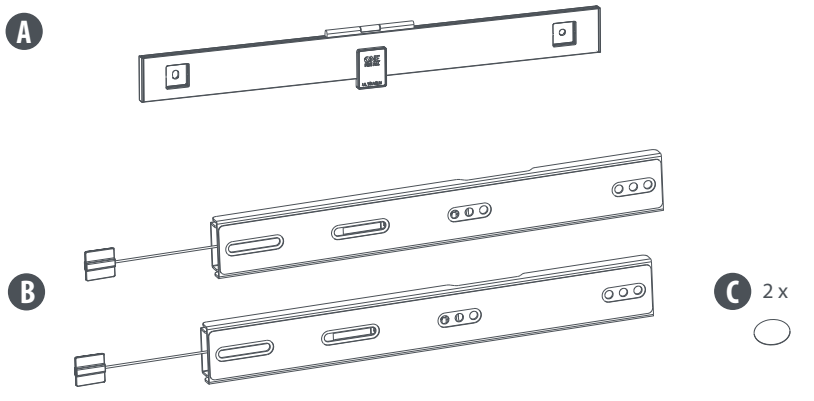


Universal
400 x 400 max



- Package M**
- M-A** 4 x M5x14mm
 - M-B** 4 x M6x14mm
 - M-C** 4 x M6x30mm
 - M-D** 4 x M8x12mm
 - M-E** 4 x M8x30mm
 - M-F** 4 x M8x50mm
 - M-G** 4 x D6
 - M-H** 8 x ø15xø8x5mm
 - M-I** 8 x ø15xø8x15mm

- Package W**
- W-A** 2 x ST6.3x55mm
 - W-B** 2 x ø10x50mm
 - W-C** 2 x D6



Separate the waste
Differenzia i Rifiuti

Universal Electronics BV - Europe & International
P.O. Box 3339, 71500 DH Enschede
The Netherlands
RDN-1150323

START

1

DRILL GUIDE

2

WARNING

Please verify that the supporting surface will safely support the combined weight of the equipment and all attached hardware and components

3a

3b

4 Do not attach EVA pads when the TV exceeds 15 kg, please skip this step.

5a VESA 300x300 300x400 400x400

5b VESA 200x100 200x200 300x200 400x200

6

7

FINISH