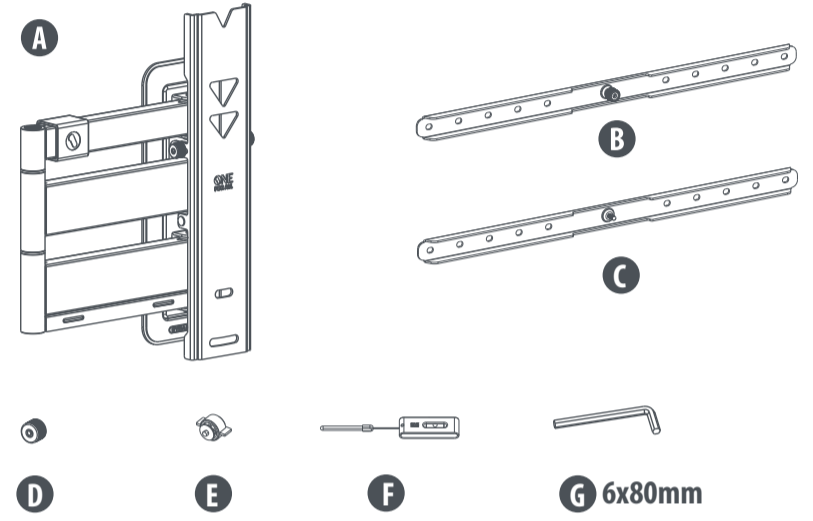






Universal  
600 x 400 max



**Package M**

- M-A 4 x M5x14mm
- M-B 4 x M6x14mm
- M-C 4 x M6x30mm
- M-D 4 x M8x12mm
- M-E 4 x M8x30mm
- M-F 4 x M8x50mm
- M-G 4 x D6
- M-H 8 x ø15xø8x5mm
- M-I 8 x ø15xø8x15mm

**Package W**

- W-A 4 x ST8x90mm
- W-B 4 x ø10x50mm
- W-C 4 x D8

Separate the waste  
Differenzia i Rifiuti



<http://www.oneforall.com/documents>

Universal Electronics BV – Europe & International  
P.O. Box 3332, 7500 DH Enschede  
The Netherlands  
WM5652  
713598  
RDN-1070524

**START**

**1**

**2**

**3** **WARNING**

Please verify that the supporting surface will safely support the combined weight of the equipment and all attached hardware and components

**4a**

**4b**

**5**

**6**

**7**

**8**

**9**

**10**

**11**

**FINISH**